



TWIN VERTICAL MIXER FEEDERS

STANDARD FEATURES



- ◆ Rear light kit
- ◆ Safety chains
- ◆ Tungsten coated knives
- ◆ 3/4" thick adjustable hay restrictor plates
- ◆ Large diameter auger with 5/8" thick flighting
- ◆ Door cylinder equipped with relief valve protection
- ◆ Adjustable knives for more aggressive mixing action
- ◆ Standard hydraulic cross conveyor to feed both sides
- ◆ Two speed gearbox (standard on models 2820 & 2950 only)
- ◆ PTO drive assembly with shear bolt for equipment protection
- ◆ Exclusive multi-lobe PTO drive shaft that provides constant lubrication
- ◆ Adjustable and replaceable hitch for ease of hook on various draw bar heights
- ◆ Planetary drive system with easily accessible service and maintenance lubrication points
- ◆ All twin screw vertical mixers come complete with a 4-point Digi-Star weigh bar scale system including a basic read up, read down electronic indicator

OPTIONS



- ◆ Aircraft tires
- ◆ Ladder platform
- ◆ 2nd sweep on augers
- ◆ Rear commodity door
- ◆ Rear wireless camera
- ◆ Knife option – carbide tip
- ◆ Hydraulic shifter for two speed gearbox
- ◆ Rubber extension for larger capacity mixes
- ◆ Chain overflow kit to retain light mixes in tub
- ◆ Magnet kit available for unloading conveyor
- ◆ Stainless liner – walls, floor or auger available
- ◆ Two speed gearbox for better mixing power (models 2580 & 2690 only)
- ◆ Hydraulic raise & lower discharge conveyor extensions in many lengths
- ◆ Upgrade to various electronic scale indicators and accessories

Helm Welding (1983) Limited



Vertical Twin Screw Trailer Specification Table



MODEL	2580	2690	2820	2950 (Single Axle)	2950 (Tandem Axle)	21125
Base Mixing Capacity (cubic feet)	580	690	820	950	950	1125
Capacity with 9" rubber extension (cubic feet)	660	780	930	1100*	1100*	1290*
A - Overall Height	106	116	113	121	130	143
B - Tub Length	222	234	251	263	263	264
C - Overall Length	290	296	319	325	325	332
D - Overall Transport Width						
- Bi-direction conv.	102	102	102	102	102	109
- 36" Conveyor Extension	110	110	116	116	116	110
E - Tub Width	87.5	87.5	102	102	102	108 1/2
F - Tread Width	102	102	102	102	102	110
G - 36" Conveyor Ext						
- lowest position reach	24	24	24	24	24	24
H - 36" Conveyor Ext						
- min. unloading height	36	36	36	36	36	36
- max. unloading height	51	51	51	51	51	51
I - Bi-direction Cross Conv.						
- max. unloading height	25	25	25	25	25	25
Scale System	4 point	4 point	4 point	4 point	4 point	4 point
Tires	425/65R22.5 (2)	425/65R22.5 (2)	425/65R22.5 (2)**	425/65R22.5 (2)	385/65R22.5 (4)	385/65R22.5 (4)
Number of Augers	2	2	2	2	2	2
Tungsten Coated Knives (qty)	6	7	7	8	8	10
Auger Flighting (thickness)	5/8	5/8	5/8	5/8	5/8	5/8
Floor Thickness (excluding 5/8" support plates)	3/4	3/4	3/4	3/4	3/4	3/4
Hopper Wall (thickness)	1/4	1/4	1/4	1/4	1/4	1/4
Door Opening (width x height)	44 x 30	44 x 30	44 x 30	44 x 30	44 x 30	52 x 30
PTO (* 540 rpm available)	1000 rpm *	1000 rpm *	1000 rpm	1000 rpm	1000 rpm	1000 rpm
Approx. Weight c/w cross conveyor & ext. (Lbs.)	15,500	15,775	17,250	17,550	19,100	22,100

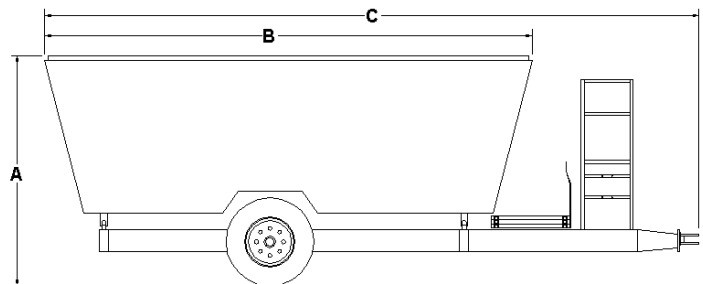
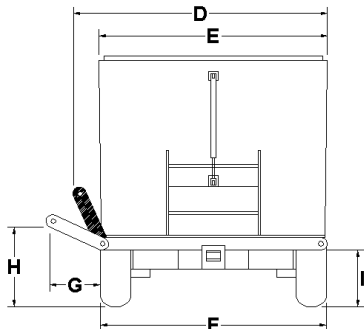
* Model 2950 & 21125 with 12" rubber extension

Unless otherwise indicated, all dimensions are in inches and pounds with standard equipment installed.

Specifications subject to change without notice.

Certain features shown may be optional.

**Model 2820 available
with tandem axle



Vertical TMR Feed Mixers - Twin Screw Truck Mounts

Truck mounted mixers are designed to fit the farmer's special needs.

Any of our twin screw trailer models can be mounted on trucks.

Various drive and discharge options are available.

Contact your local dealer or Helm Welding directly for special requirements and pricing on a proven, well manufactured truck mount mixer.

Manufactured by:

Helm Welding (1983) Limited

Lucknow, Ontario, Canada
Phone: 519-529-7000

www.lucknowproducts.com
inquiry@lucknowproducts.com