



# SINGLE VERTICAL MIXER FEEDERS

Trailer/Truck Mount

## STANDARD FEATURES



- ◆ Rear light kit
- ◆ Safety chains
- ◆ Tungsten coated knives
- ◆ 3/4" thick adjustable hay restrictor plates
- ◆ Standard side discharge with slide chute
- ◆ Large diameter auger with 5/8" thick flighting
- ◆ Door cylinder equipped with relief valve protection
- ◆ Adjustable knives for more aggressive mixing action
- ◆ PTO drive assembly with shear bolt for equipment protection
- ◆ Exclusive multi-lobe PTO drive shaft that provides constant lubrication
- ◆ Adjustable and replaceable hitch for ease of hook on various draw bar heights
- ◆ Planetary drive system with easily accessible service and maintenance lubrication points
- ◆ All single screw vertical mixers come complete with a 4-point Digi-Star weigh bar scale system including a basic read up, read down electronic indicator

## OPTIONS

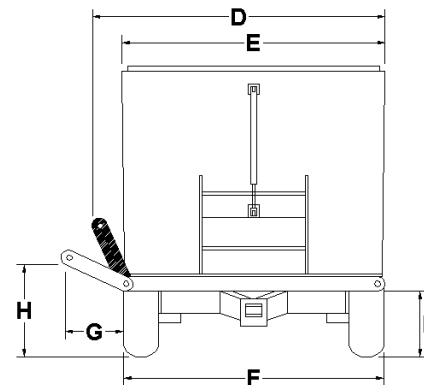
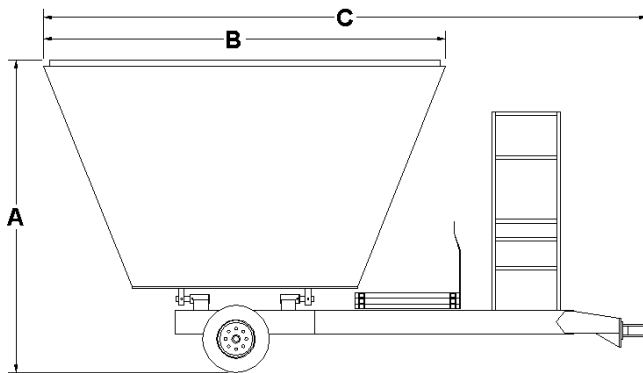


- ◆ Ladder platform
- ◆ 2<sup>nd</sup> sweep on augers
- ◆ Rear wireless camera
- ◆ Knife option – carbide tip
- ◆ Hydraulic shifter for two speed gearbox
- ◆ Rubber extension for larger capacity mixes
- ◆ Two speed gearbox for better mixing power
- ◆ Hydraulic cross conveyor to feed both sides
- ◆ Chain overflow kit to retain light mixes in tub
- ◆ Stainless liner – walls, floor or auger available
- ◆ Magnet kit available for slide chute or unloading conveyor
- ◆ Upgrade to various electronic scale indicators and accessories
- ◆ Hydraulic raise & lower discharge conveyor extensions in many lengths

Helm Welding (1983) Limited

MODEL	1330	1380	1420	1480
<b>Base Mixing Capacity (cubic feet)</b>	<b>330</b>	<b>380</b>	<b>420</b>	<b>480</b>
<b>Capacity with 9" rubber extension (cubic feet)</b>	<b>380</b>	<b>420</b>	<b>480</b>	<b>560</b>
A - Overall Height	100	108	102	114
B - Tub Length	135	139	145 ½	149 ½
C - Overall Length	212	214	215	219
D - Overall Transport Width				
- Slide Chute	94	102	102	102
- Bi-direction conv.	102	102	102	102
- 36" Conveyor Extension	110	110	110	110
E - Tub Width	91 ½	91 ½	102	102
F - Tread Width	96	102	102	102
G - 36" Conveyor Ext				
- lowest position reach	28	28	28	28
H - 36" Conveyor Ext				
- min. unloading height	35	35	35	35
- max. unloading height	50	50	50	50
I - Bi-direction Cross Conv.				
- max. unloading height	24	24	24	24
Scale System	4 - Point	4 - Point	4 - Point	4 - Point
Tires	12.5Lx15(2)	19.0/45-17(2)	19.0/45-17(2)	19.0/45-17(2)
Number of Augers	1	1	1	1
Tungsten Coated Knives (qty)	6	6	7	8
Auger Flighting (thickness)	5/8	5/8	5/8	5/8
Floor Thickness (excluding 5/8" support plates)	3/4	3/4	3/4	3/4
Hopper Wall (thickness)	1/4	1/4	1/4	1/4
Door Opening (width x height)	40 x 24	40 x 30	40 x 24	40 x 30
PTO (1000 rpm optional)	540 rpm	540 rpm	540 rpm	540 rpm
Approx. Weight c/w cross conveyor & ext. (Lbs.)	8,240	8,610	9,890	10,150

Unless otherwise indicated, all dimensions are in inches and pounds with standard equipment installed. Specifications subject to change without notice. Certain features shown may be optional



## **Vertical TMR Feed Mixers - Single Screw Truck Mounts**

Truck mounted mixers are designed to fit the farmer's special needs.

Any of our single screw trailer models can be mounted on trucks.

Various drive and discharge options are available.

Contact your local dealer or Helm Welding directly for special requirements and pricing on a proven, well manufactured truck mount mixer.